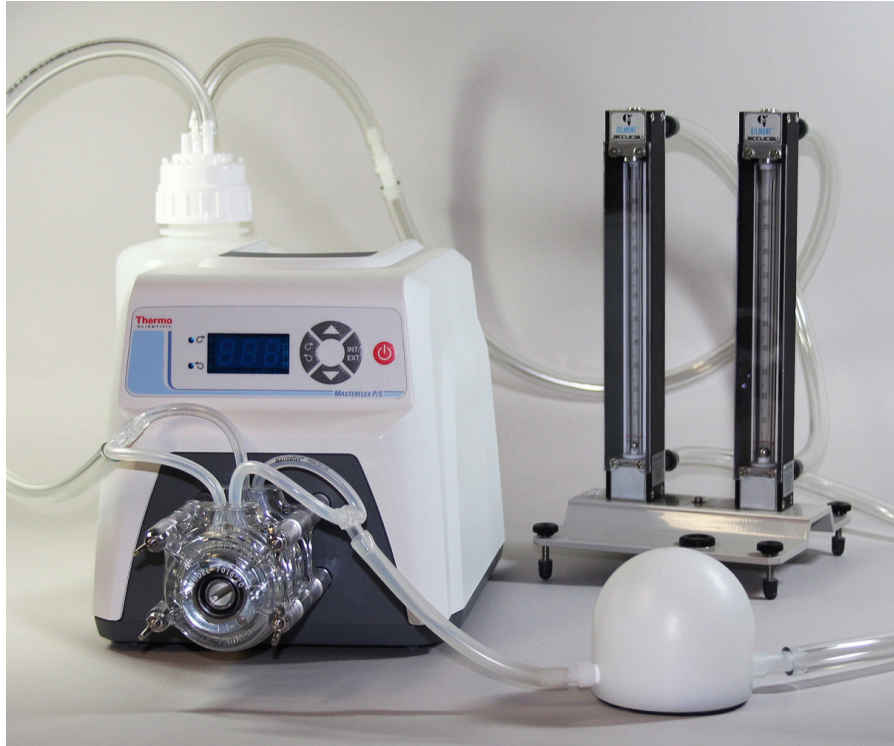


# Doppler Flow Controller & Digital Pumping System

Model ATS 700-D



The Model 700-D, Doppler Flow Digital Controller and Pumping System, combined with an ATS Doppler Flow phantom provide an easy and accurate means of evaluating an ultrasound Doppler imaging system's ability to detect sensitivity at varying depths, maximum penetration, flow velocity, location and directional discrimination.

The System provides steady-state flow ranging from 9.6 to 960 ml/minute. Higher flow rates are available upon request. The pump speed (RPMs) is controlled by the keypad on the front panel. Two In-line flowmeters continuously monitor the flow rate of the blood mimicking test fluid through the phantom during the test procedure. The large capacity test fluid reservoir insures the fluid pumped through the phantom will be free of air bubbles even after hours of continuous use.

The Model 700-D system is designed to be used in conjunction with the ATS Doppler Flow Phantoms Models 523, 523A, 524, 525 and 527 (purchased separately) and the Doppler Test Fluid.

## Benefits:

- Simple keypad controls.
- Digital display of RPMs
- Keypad "lock" and "unlock" feature
- Flow direction control
- Accurate, reliable control digitally controlled flow rate
- Universal voltage. Unit accepts power cord set with IEC320 plug to adapt to local power.

深圳为尔康科技有限公司

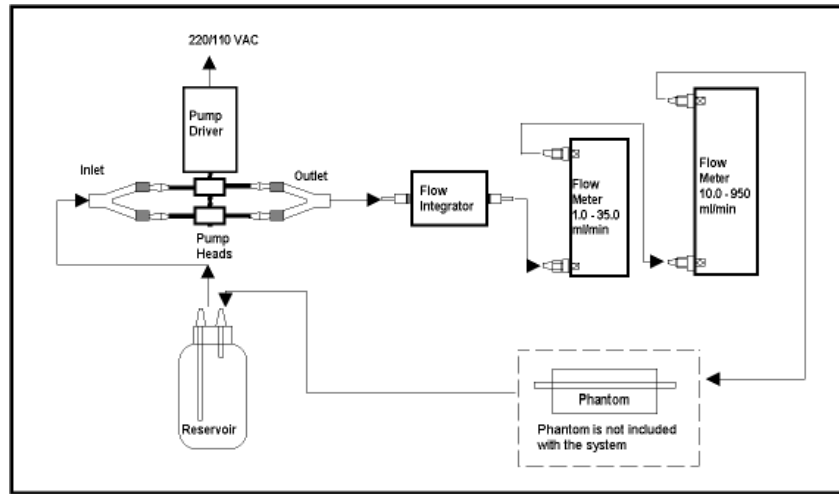
曾生 : 13632925349 QQ : 274798107

电话 : 0755-28896837

地址 : 深圳市龙岗区沙平北路111号吉茂大厦608A

网址 : [www.medicalqc.com](http://www.medicalqc.com)





**SPECIFICATIONS**

DIMENSIONS	69x40x25 cm
WEIGHT	20 Kg (44 lbs)

**DOPPLER FLOW PUMP & CONTROLLER**

RPM RANGE	6-600
PUMP HEADS	2
KEYPAD CONTROL	On/Off RPM Flow Direction
FLUID CONTACT	Tubing Only
SELF-PRIMING	Up to 2.0 m (6.5-Ft.)
FLOW RATE	9.6 - 960 ml/min
RUN DRY	Yes, continuously
NON-SIPHONING	Yes
VOLTAGE	Universal input 90-260 VAC 60/50 Hz 2.2A@ 115V; 1.1A@ 230 V International plug adapters are not included
PUMP HEAD TUBING	Silicon, 3.1 mm (1/8") I.D.
SYSTEM TUBING	PVC 6.4 mm (1/4") I.D. PVC 10 mm (13/32") I.D.

**MODEL ATS 700-D INCLUDES**

QTY	COMPONENT DESCRIPTION
1	Doppler Flow Controller & Digital Pumping System
-	3-Month Warranty
-	User Guide

**FLOWMETERS**

Number: 2  
Flow Range: 2.0-1300 ml/min.  
Accuracy: 2% of reading  
Repeatability: 1%

**FLUID RESERVOIR**

Type: Heavy-duty bottle  
Cap: Inlet/outlet  
Capacity: 2 Liter (.5 gallon)



深圳为尔康科技有限公司

曾生 : 13632925349 QQ : 274798107

电话 : 0755-28896837

地址 : 深圳市龙岗区沙平北路111号吉茂大厦608A

网址 : www.medicalqc.com