

# DEXA Phantom

Model 026



## THE "BONA FIDE PHANTOM" (BFP)<sup>(1)</sup>

BioClinica's "Bona Fide Phantom" (BFP), is a quality control tool for Dual-Energy X-ray Absorptiometry (DEXA) instruments, which features an acrylic-embedded calcium hydroxyapatite (CHA) step-wedge. Advanced design features make it the best choice for assessing DEXA instrument stability. You can successfully use the BFP on all mainstream DEXA instruments.

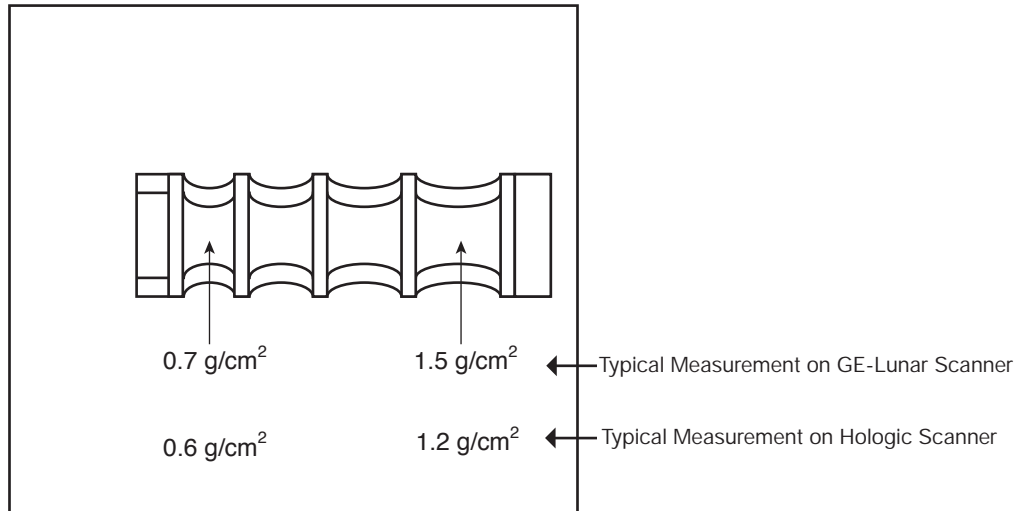
The BFP offers a range of densities (0.7 - 1.5 g/cm<sup>2</sup>), to verify instrument function over the clinically relevant range, not just at a single "healthy" BMD. Linearity of BMD over this range is critical for full instrument evaluation. Our phantom uses a CHA insert for direct assessment of bone density accuracy, as required for cross-calibration phantoms used in clinical trials.

The BFP is cast in acrylic and comes with its own carrying case for easy handling. The tote remains on the phantom during scanning and does not affect BMD readings, allowing rapid placement and removal for the phantom from the bed. A flight case is available as an option.

### Features

- Checks a Range of Densities
- Easy to carry and can be Scanned in the Bag
- Universal Axial DEXA Instrument Compatibility
- No Water Bath
- Edge-Detection Challenge
- Realistic Soft Tissue Mimic

(1) BFP design is the property of BioClinica, Inc.



Note: The various DXA scanner manufacturers have developed and published cross-calibration formulas for use in data comparison.

## SPECIFICATIONS

<b>OVERALL DIMENSIONS</b>	22 cm x 19 cm x 15 cm (8.7" x 7.5" x 6")
<b>WEIGHT</b>	17 lbs. (6.3 kg)
<b>MATERIALS</b>	<p><b>ACRYLIC EMBEDDED</b> Calcium Hydroxyapatite</p> <p><b>SOFT TISSUE ANALOG</b> Approximately 25 % Fat</p> <p><b>BMD RANGE</b> 0.7 to 1.5 g/cm<sup>2</sup> (GE-Lunar) 0.6 to 1.2 g/cm<sup>2</sup> (Hologic)</p>

## MODEL 026 INCLUDES

QTY	COMPONENT DESCRIPTION
1	DEXA Phantom
1	Carrying Case
1	User Guide
-	60-Month Warranty